

Sash Replacement

for Andersen® Perma-Shield® Casement & Awning
Stationary or Picture Windows



IMPORTANT

Read all instructions carefully before attempting this procedure. If you have any questions about your ability to complete the procedure, call Andersen at 1-888-888-7020 for further direction. Andersen WindowCare® service center hours are Monday through Friday, 7AM to 7PM Central Time and Saturday, 8AM to 4PM Central Time. Thank you for choosing Andersen® products.

Important Safety, Assembly, and Installation Information

Proper assembly, installation and maintenance of Andersen products is essential if the benefits of experienced product design and engineering, quality materials, and skilled workmanship are to be fully attained. General recommendations regarding assembly and installation are guidelines only. Every assembly and installation is different (windloads, structural support, etc.) and, Andersen strongly recommends consultation with an Andersen supplier or an experienced contractor, architect, or structural engineer prior to the assembly and installation of any Andersen product. Assembly and installation of Andersen products is the sole responsibility of the architect, building owner, contractor and/or consumer and Andersen has no responsibility in this regard.

⚠ WARNING

Use of ladders and/or scaffolding and working at elevated levels may be hazardous. Follow equipment manufacturer's instructions for safe operation. Use extreme caution when working around window and door openings. Personal injury and/or falls could occur.

⚠ WARNING

Improper use of hand or power tools could result in personal injury and/or product damage. Follow equipment manufacturer's instructions for safe operation. Always wear safety glasses.

⚠ WARNING

Weight of window and door unit(s) and accessories will vary. Use a reasonable number of people with sufficient strength to lift, carry, and install window and door unit(s) and accessories. Always use appropriate lifting techniques.

⚠ CAUTION

- Unless specifically ordered, Andersen windows are not equipped with safety glass, and if broken, could fragment causing injury. Many laws and building codes require safety glass in locations adjacent to or near doors. Andersen windows are available with safety glass that may reduce the likelihood of injury when broken. Information on safety glass is available from your local Andersen dealer.
- Do not apply any type of film to glass. Thermal stress conditions resulting in glass damage could occur.
- The use of movable insulating materials such as window coverings, shutters, and other shading devices may damage glass and/or vinyl. In addition, excessive condensation may result causing deterioration of window unit.

⚠ WARNING

The Sash must be supported during the entire procedure, both in the removal and installation of the Sash. Failure to support the Sash may result in personal injury or product damage.

⚠ WARNING

Wear gloves, safety glasses goggles or eye shields when handling glass. Tape broken glass with filament or duct tape before removal to reduce glass fragmentation.

⚠ CAUTION

When drilling into the Sash, drill only 1/8" deep to avoid penetrating the glass area or drilling through the Sash.

NOTICE

- Check the sash size, glass type, color, and kit contents to verify all parts are correct.
- The unit / sash opening must be plum, level, square, and free of any bowed jambs. To check, measure frame diagonally from corner to corner. The distances must be within 1/8" of each other.
- Inspect for any damage to the frame and vinyl cover. Repair as needed.
- If any of the above requirements are not met, have a qualified carpenter, builder, or contractor determine whether the window frame should be replaced or reinstalled, or if there are structural problems that need to be corrected prior to sash replacement.

**Stationary
1966 through Present**

Parts Included

- (1) Sash
- (1) Installation Guide

Additional Parts Required

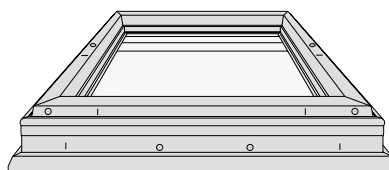
(Available at your Andersen Dealer)

- (1) Package 11/16" Flat Head Nails
- (1) Package Sash Clips
- (1) Package 1/2" x #6 Screws

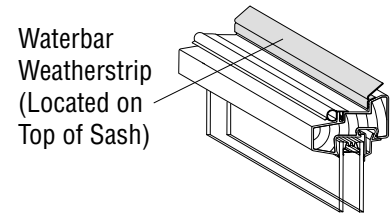
Installation Tools Needed:

- Safety Glasses
- Hammer
- Electric Drill
- 3/32" Drill Bit
- Small Pry Bar
- Thin Blade Putty Knife
- Glass Clamps
- Vise Grips
- Pliers
- 4d Finish Nails

Component Identification



Sash

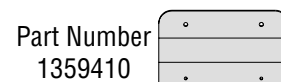


1966 through April 1995,
December 1998 to Present
Sash Clip



11/16" Flat Head Nails

May 1995 through
December 1998
Sash Clip



1/2" x #6 Screws

1. Determine Vintage of Unit

- Determine vintage of unit, pre or post April 1995.
- Locate unit size in chart below. The number in center of unit determines amount of clips required, marks on Sash indicate clip location.
- Use appropriate Clip Package or combination of packages. Discard extra clips, if any.

1966 through April 1995, December 1998 to Present Clip Packages

April 1995 through December 1998 Clip Packages

Quantity
12

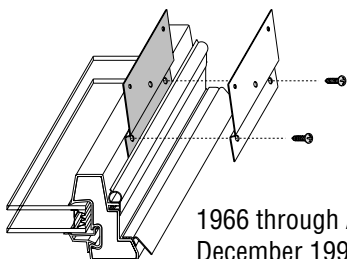
Part Number
1359408

Quantity
12

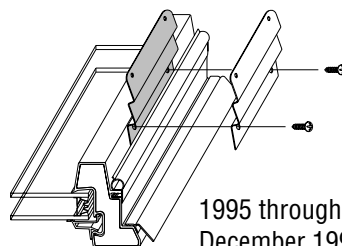
Part Number
1359410

Stationary Casement/Awning and Picture Window Clip Locations

2. Position and Attach Clips



1966 through April 1995,
December 1998 to Present

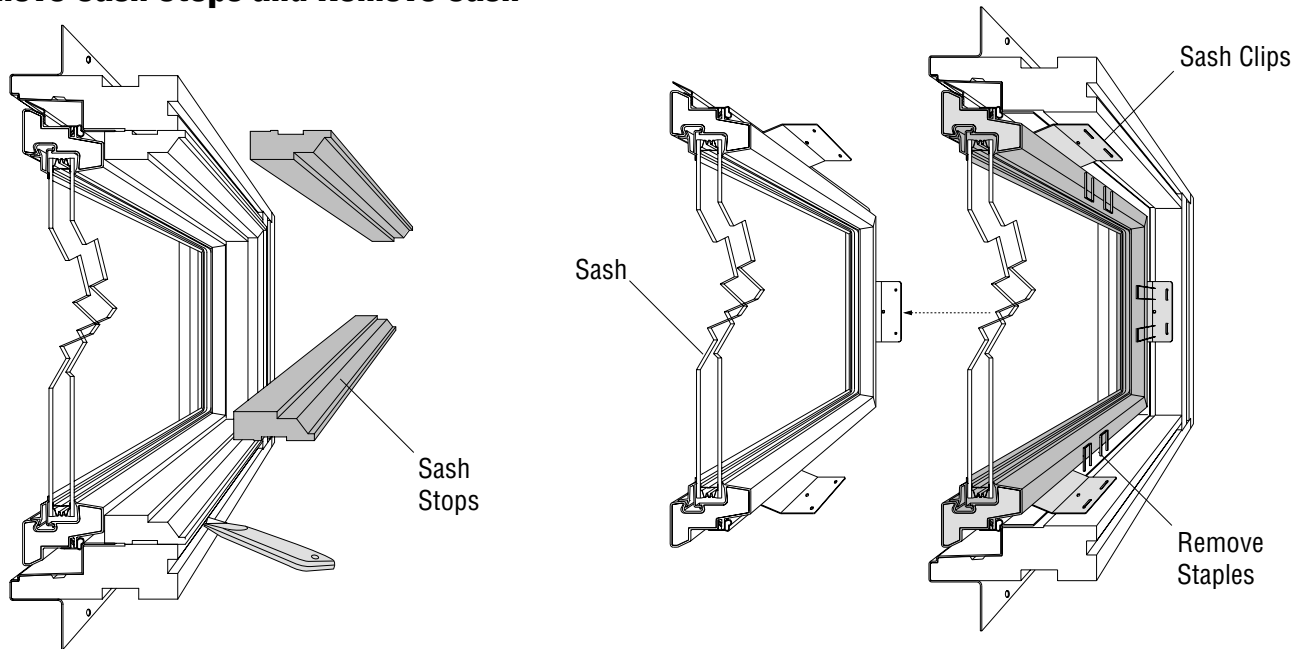


1995 through
December 1998

- Place *Sash* on a clean surface with the interior facing up.
- Locate *Clip* location and number of clips according to above chart.
- Use *Clip* as a template to drill 3/32" pilot holes 1/16" deep for *Clip* attachment.
- Attach *Clips* using 1/2" x #6 *Screws* provided.

1966 through April 1995 and December 1998 to Present

1. Remove Sash Stops and Remove Sash

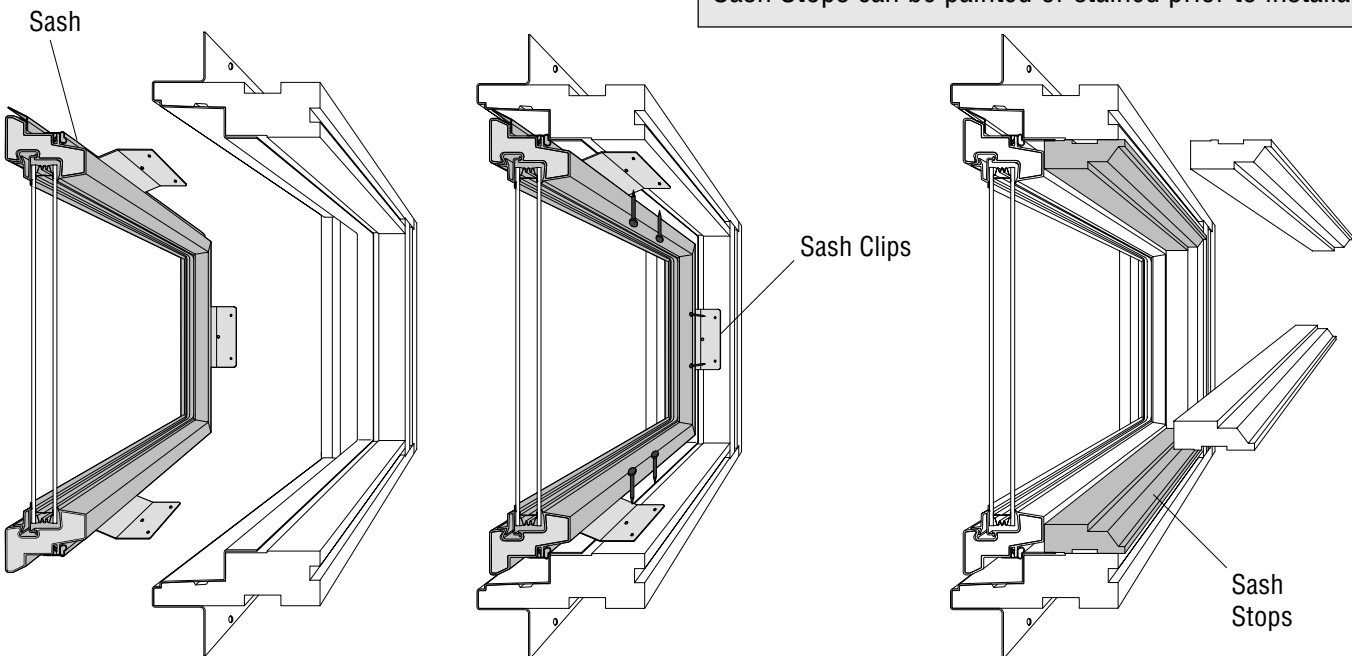


- Break the varnish or paint seal by scoring with a thin blade putty knife or utility knife.
- Remove *Sash Stops* using a small pry bar. Gently pry up *Sash Stops* and carefully remove without scratching surrounding trim.
- With one person holding the *Sash* from the interior with glass clamps and/or vise grips and another holding the *Sash* from the exterior with glass clamps, using a small pry bar pry the *Sash Clips* loose removing staples with a pliers.
- Remove the *Sash*.

2. Install Sash and Apply Sash Stops

NOTICE

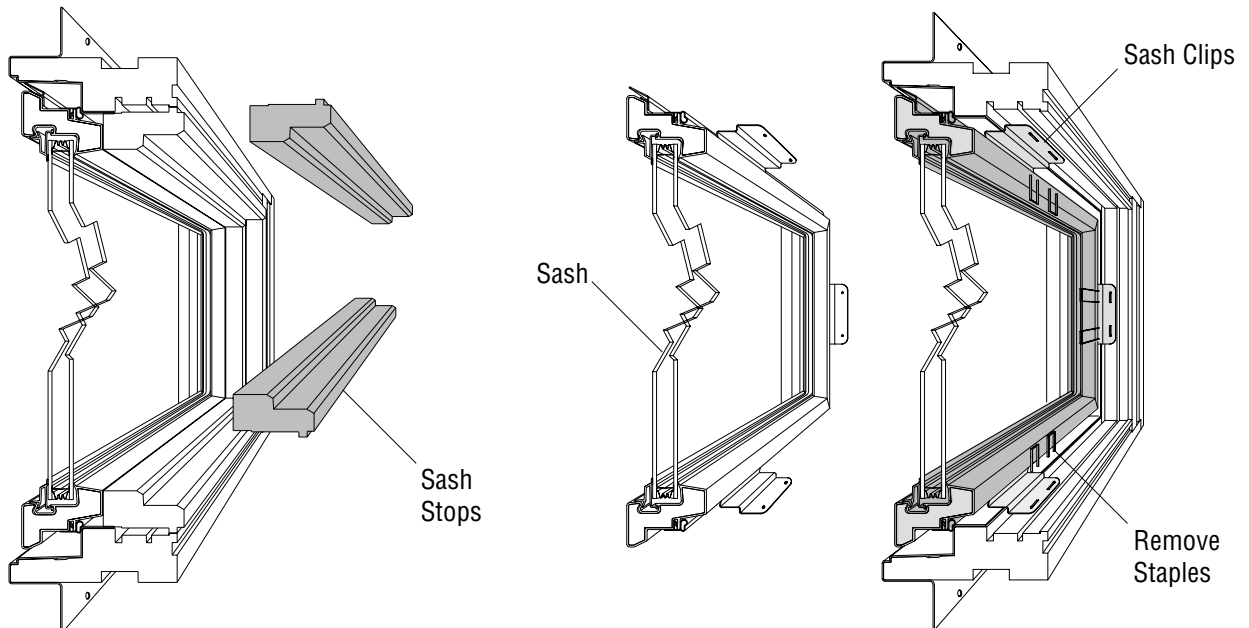
Sash Stops can be painted or stained prior to installation.



- While holding *Sash* securely with glass clamps position it in the opening. Pull *Sash* inward tight against the frame with glass clamps or by gripping the *Sash Clips* with vise grips. Push the *Sash* tight from the exterior. **DO NOT** push on the glass.
- Fasten *Sash Clips* using 11/16" Flat Head Nails.
- Reposition the *Sash Stops* and secure them using 4d Finish Nails. Leave a 1/32" space between the *Sash Stops* and the *Sash*.

May 1995 through December 1998

1. Remove Sash Stops and Remove Sash

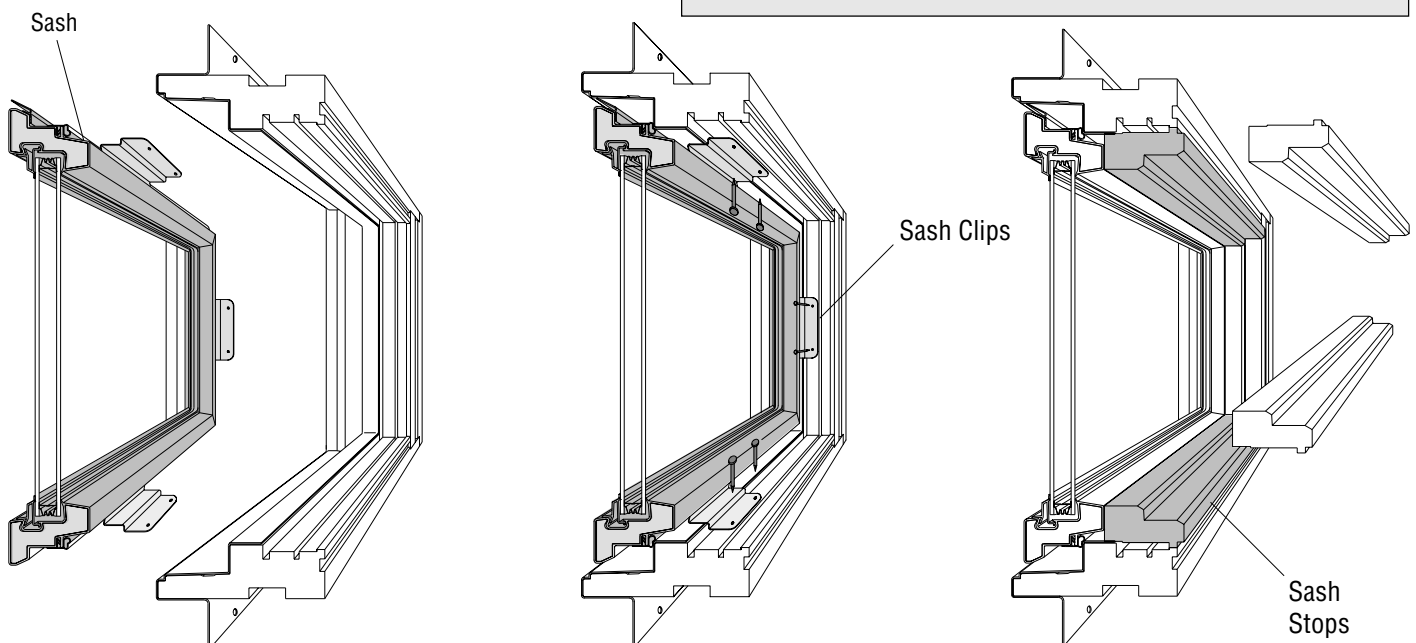


- Break the varnish or paint seal with a thin blade putty knife.
- Remove *Sash Stops* using a small pry bar. Gently pry up *Sash Stops* and carefully remove without scratching surrounding trim.
- With one person holding the *Sash* from the interior with glass clamps and/or vise grips and another holding the *Sash* from the exterior with glass clamps, using a small pry bar pry the *Sash Clips* loose removing staples with a pliers.
- Remove the *Sash*.

2. Install Sash and Apply Sash Stops

NOTICE

Sash Stops can be painted or stained prior to installation.



- While holding *Sash* securely with glass clamps position it in the opening. Pull *Sash* inward tight against the frame with glass clamps or by gripping the *Sash Clips* with vise grips. Push the *Sash* tight from the exterior. **DO NOT** push on the glass.
- Fasten *Sash Clips* using 11/16" Flat Head Nails.
- Reposition the *Sash Stops* and secure them using 4d Finish Nails. Leave a 1/32" space between the *Sash Stops* and the *Sash*.