

Sash Replacement

for Andersen® Pre-1992 Perma-Shield® Gliding Windows



IMPORTANT

Read all instructions carefully before attempting this procedure. If you have any questions about your ability to complete the procedure, call Andersen at 1-888-888-7020 for further direction. Andersen WindowCare® service center hours are Monday through Friday, 7AM to 7PM Central Time and Saturday, 8AM to 4PM Central Time. Thank you for choosing Andersen® products.

Importance of Proper Assembly and Installation

Proper assembly, installation, and maintenance of Andersen products are essential if the benefits of experienced product design and engineering, quality materials, and skilled workmanship are to be fully attained. General recommendations regarding assembly and installation are guidelines only. Every assembly and installation is different (windloads, structural support, etc.), and Andersen strongly recommends consultation with an Andersen supplier or an experienced contractor, architect, or structural engineer prior to the assembly and installation of any Andersen product. Assembly and installation of Andersen products is the sole responsibility of the architect, building owner, contractor and/or consumer and Andersen has no responsibility in this regard.

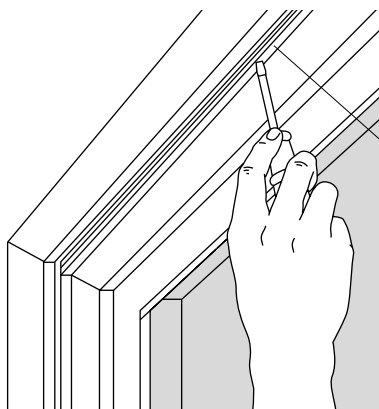
Parts Included

- (1) Replacement Sash

Installation Tools and Supplies Needed:

- Safety Glasses
- Phillips Head Screwdriver

1. Prepare for Replacement



Inside Head Stop

! WARNING

Wear safety glasses, goggles, or eye shields when handling glass. Tape broken glass with filament or duct tape before removal to reduce glass fragmentation.

- Lock the *Operating Sash* in closed position. Using a phillips head screwdriver turn the two screws located in the *Inside Head Stop* to the right. This will retract the head stop into the head jamb, except for the extreme ends of *Inside Head Stop* which do not retract.

! CAUTION

Unless specifically ordered, Andersen windows are not equipped with safety glass, and if broken, could fragment causing injury. Many laws and building codes require safety glass in locations adjacent to or near doors. Andersen windows are available with safety glass that may reduce the likelihood of injury when broken. Information on safety glass is available from your local Andersen dealer. Do not apply any type of film to glass. Thermal stress conditions resulting in glass damage could occur.

The use of movable insulating materials such as window coverings, shutters, and other shading devices may damage glass and/or vinyl. In addition, excessive condensation may result causing deterioration of window unit.

! WARNING

Improper use of hand or power tools could result in personal injury and/or product damage. Follow equipment manufacturer's instructions for safe operation. Always wear safety glasses.

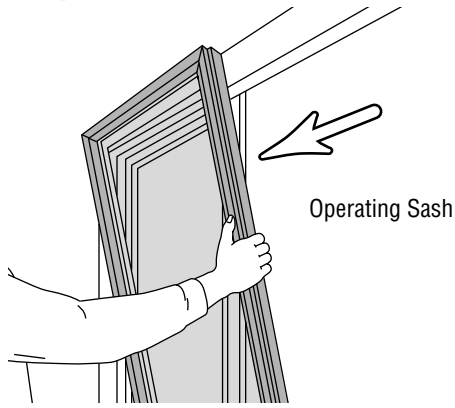
! WARNING

Use of ladders and/or scaffolding and working at elevated levels may be hazardous. Follow equipment manufacturer's instructions for safe operation. Use extreme caution when working around window and door openings. Personal injury and/or falls could occur.

! WARNING

Weight of window and door unit(s) and accessories will vary. Use a reasonable number of people with sufficient strength to lift, carry and install window and door unit(s) and accessories. Always use appropriate lifting techniques.

2. Remove Operating Sash

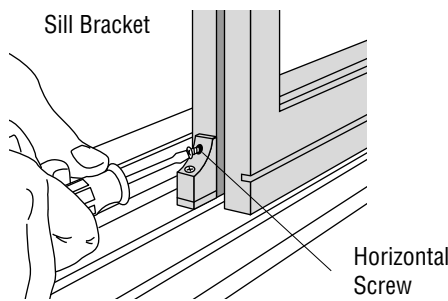
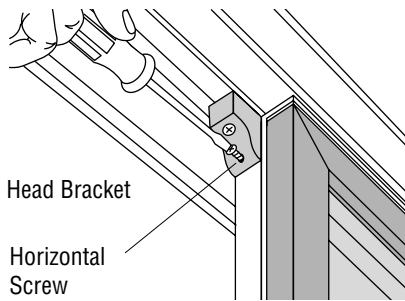


⚠ WARNING

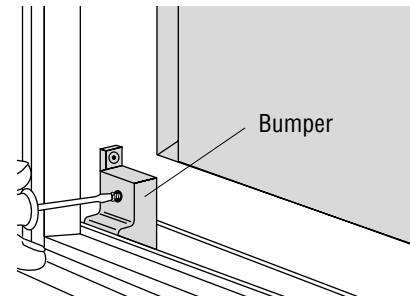
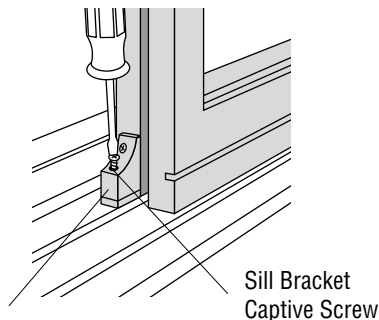
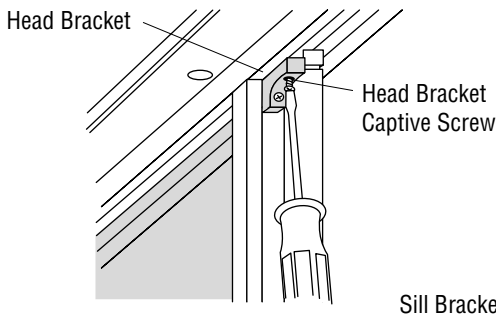
Weight of sash will vary. Use a reasonable number of people with sufficient strength to lift, move and carry sash. Always use appropriate lifting techniques.

- Unlock the Operating Sash and move to the left (as viewed from the interior) until sash clears the retracted *Inside Head Stop*. Tilt sash out at the top and carefully lift off the vinyl sill track.

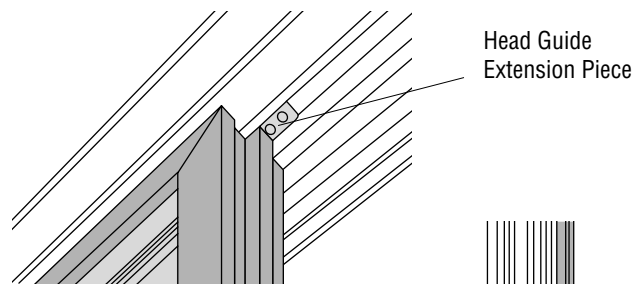
3. Remove the Head and Sill Brackets



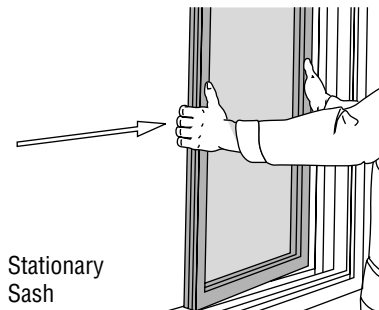
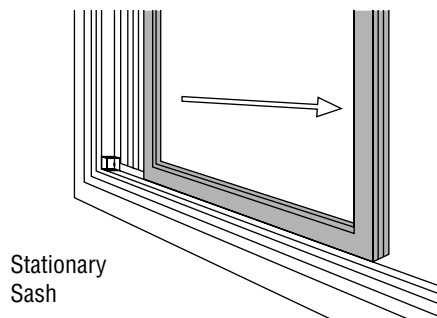
- Remove the horizontal screws in the *Head and Sill Brackets*.
- Release the spring loaded Captive Screws to remove the *Head and Sill Brackets*.
- Remove the captive screw in Bumper on left side of Sill.



4. Remove Stationary Sash



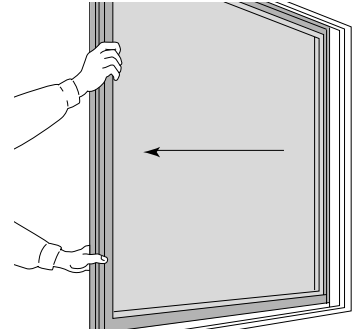
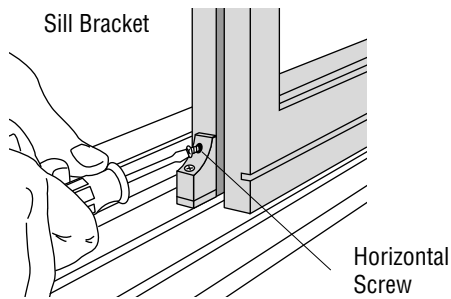
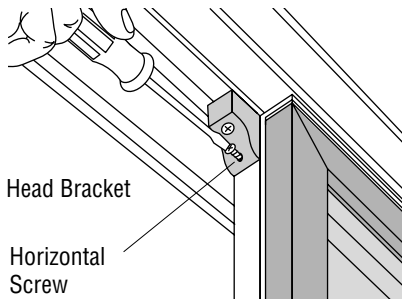
- Remove the screw located under the upper bracket and slide out the Head Guide Extension Piece.
- Hold the Stationary Sash firmly and slide to the right.
- Carefully remove Stationary Sash by sliding all the way to the right and removing to the outside.
- To replace Picture Sash reverse above procedures.



Picture Window Sash Replacement

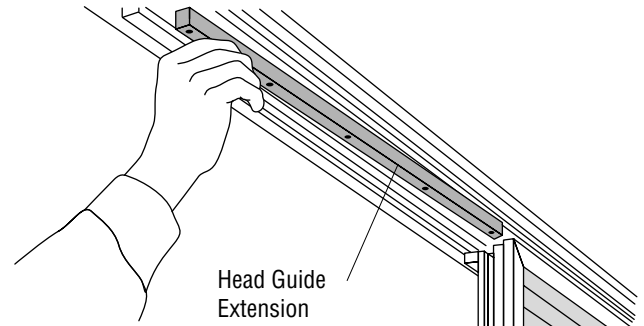
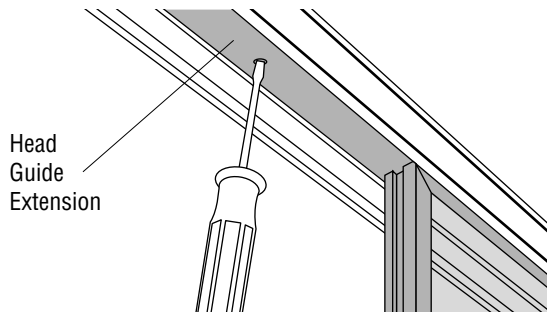
1. Removal Head and Sill Brackets

- Remove both Operating Panels following Steps 1-4 of this guide.
- Remove *Head and Sill Brackets* on both sides of picture sash.
- Slide picture window to the left (as viewed from the interior) to expose Head Guide Screws.

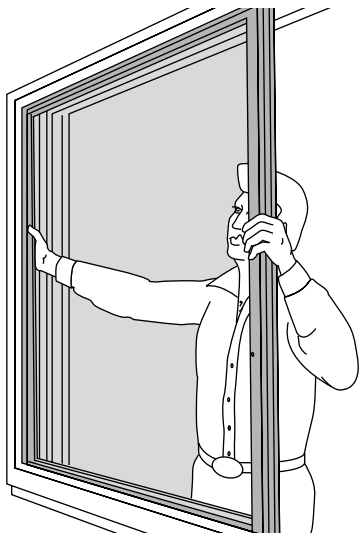


2. Remove Head Guide Extension

- Remove Head Guide Screws and slide Head Guide Extension out.



2. Remove Picture Window Sash



⚠ WARNING

Weight of sash will vary. Use a reasonable number of people with sufficient strength to lift, move and carry sash. Always use appropriate lifting techniques.

- Slide picture window all the way to the right (as viewed from the interior) and tilt top out.. Carefully lift off sill and remove sash to the inside.
- To replace Picture Sash reverse above procedure.